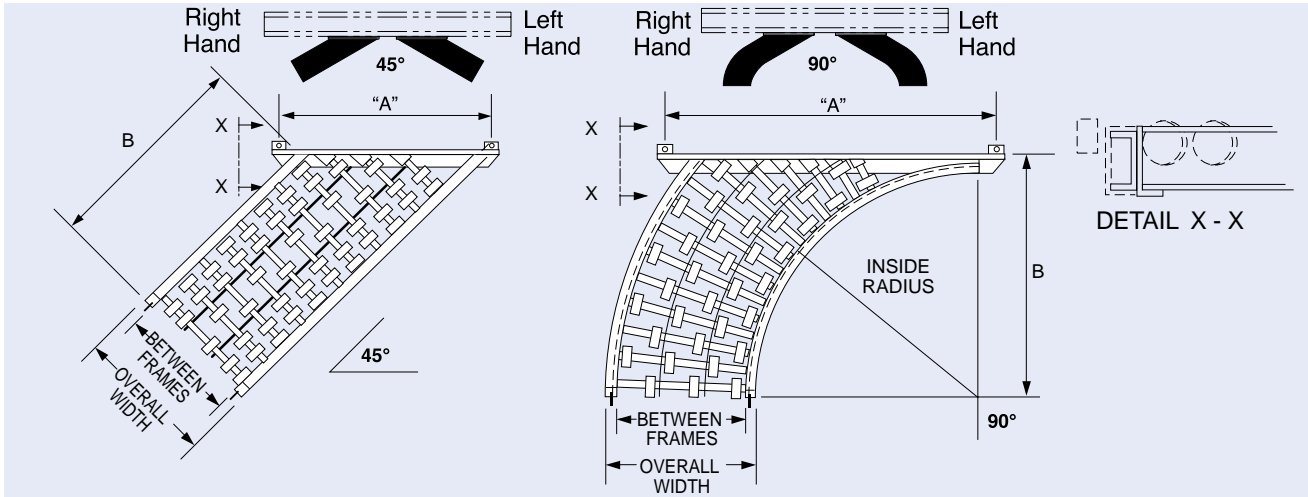


# MODEL "GS"

## Gravity Skatewheel Spur Conveyor



### SPECIFICATIONS

Widths - 12", 15", 18" and 24"

Bolt in cross members

Couplings - Bar and hooks on one end

Right and left hand units

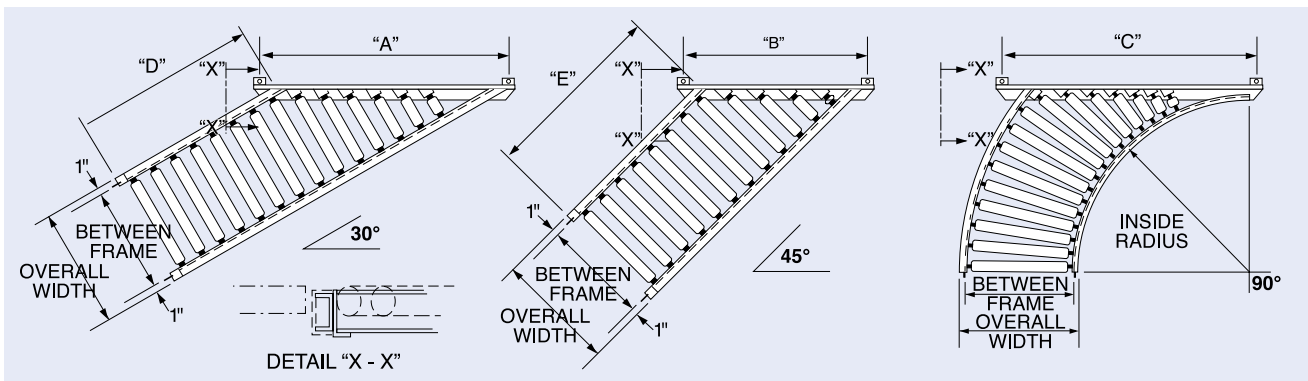
Spurs - 45° and 90°

| Overall Frame Width | Model No.  | 45° SPUR |     |                    |    |    |            | Model No. | 90° SPUR |     |     |                |  |
|---------------------|------------|----------|-----|--------------------|----|----|------------|-----------|----------|-----|-----|----------------|--|
|                     |            | "A"      | WPF | "B" Weights (lbs.) |    |    | "A"        |           | "B"      | "R" | WPF | Weights (lbs.) |  |
| 2'                  | 3'         |          |     | 5'                 |    |    |            |           |          |     |     |                |  |
| 12"                 | 12GS-45-25 | 21"      | 16  | 31                 | 39 | 56 | 12GS-90-25 | 39"       | 37 1/2"  | 36" | 16  | 67             |  |
| 15"                 | 15GS-45-25 | 30"      | 16  | 34                 | 43 | 62 | 15GS-90-25 | 39"       | 34 1/2"  | 33" | 16  | 72             |  |
| 18"                 | 18GS-45-25 | 30"      | 20  | 38                 | 47 | 66 | 18GS-90-25 | 39"       | 31 1/2"  | 30" | 20  | 77             |  |
| 24"                 | 24GS-45-25 | 39"      | 28  | 44                 | 57 | 83 | 24GS-90-25 | 51"       | 37 1/2"  | 36" | 28  | 107            |  |

NOTE: Same per foot capacities as straight sections shown on page 72.

# MODEL "138SRS"

## Gravity Roller Spur Conveyor



### SPECIFICATIONS

Widths - 12", 15", 18" and 24"

Spurs - 30°, 45° and 90°

Couplings - Bar and hooks on one end

Right and left hand units

Bolt in cross members

Rollers - 1 3/8" diameter x 18 gauge galvanized rollers

| Overall Frame Width | Model No.    | 30° SPUR |                    |    |     | Model No.    | 45° SPUR |                    |    |     | Model No.    | 90° SPUR |                |
|---------------------|--------------|----------|--------------------|----|-----|--------------|----------|--------------------|----|-----|--------------|----------|----------------|
|                     |              | "A"      | "D" Weights (lbs.) |    |     |              | "B"      | "E" Weights (lbs.) |    |     |              | "C"      | Weights (lbs.) |
| 2'                  | 3'           |          | 5'                 | 2' | 3'  | 5'           |          |                    |    |     |              |          |                |
| 12"                 | 138SRS-12-30 | 30"      | 35                 | 43 | 64  | 138SRS-12-45 | 21"      | 31                 | 39 | 60  | 138SRS-12-90 | 30"      | 29             |
| 15"                 | 138SRS-15-30 | 39"      | 42                 | 54 | 79  | 138SRS-15-45 | 30"      | 38                 | 50 | 75  | 138SRS-15-90 | 39"      | 36             |
| 18"                 | 138SRS-18-30 | 39"      | 48                 | 62 | 91  | 138SRS-18-45 | 30"      | 44                 | 58 | 87  | 138SRS-18-90 | 39"      | 42             |
| 24"                 | 138SRS-24-30 | 51"      | 59                 | 77 | 113 | 138SRS-24-45 | 39"      | 55                 | 73 | 109 | 138SRS-24-90 | 51"      | 53             |

NOTE: Same per foot capacities as straight sections shown on page 72.