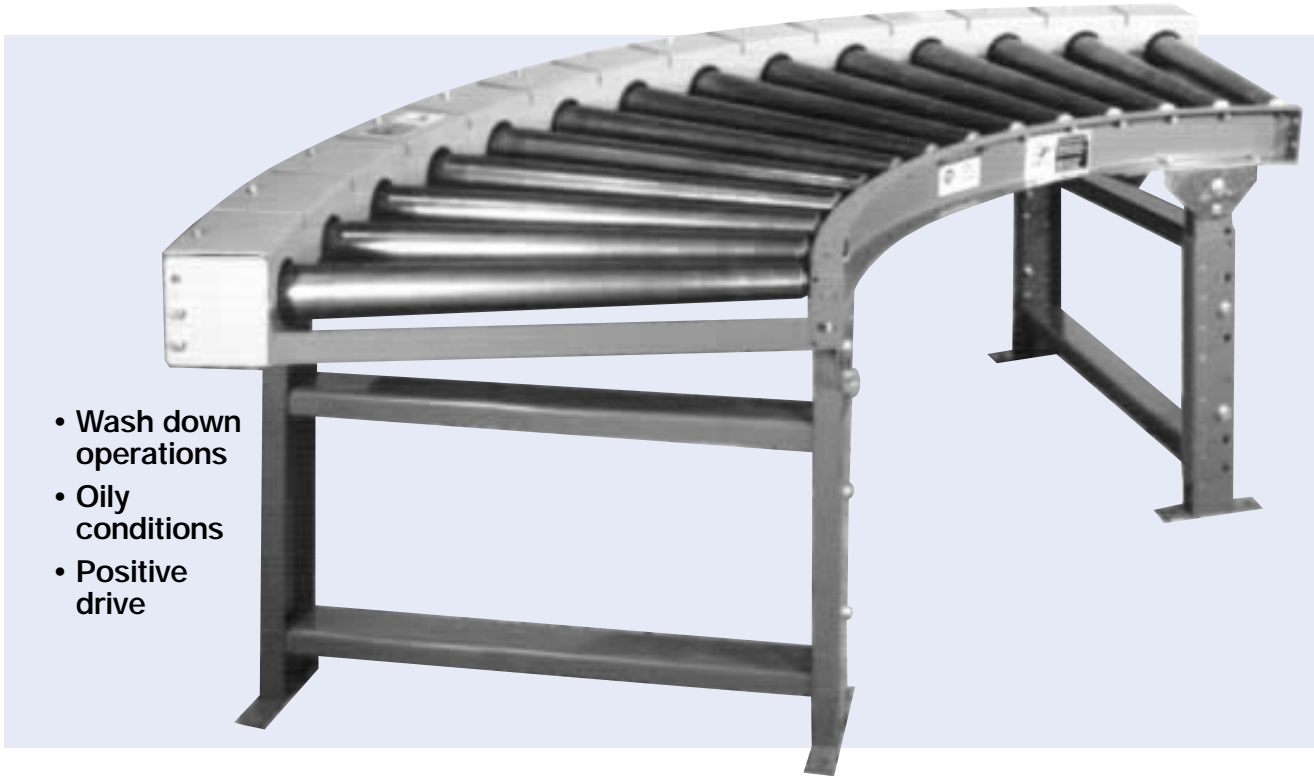


MODEL "22CRRC"

Chain Driven Live Roller Curve



- Wash down operations
- Oily conditions
- Positive drive

STANDARD SPECIFICATIONS

Drive Chain - No. 40 circular roller chain.

Bed - Conveying surface width 14", 16", 18", 24", 28", and 34". 2¹/₂" diameter to 1¹/₁₆" diameter tapered rollers, 7/16" hex shafts. Mounted in 10 gauge painted formed steel channel frame. Roller to roller driven.

Chain Guard - Chain guard is mounted above frame to totally enclose drive chain.

Center Drive - Mounted underneath conveyor in center of curve.

Floor Supports - Adjustable 28" to 42" from floor to top of rollers. One support at each end and center leg on outer rail.

Motor - 1/2 HP 230/460/3-60 TE Motor.

Speed Reducer - C-Face heavy duty worm gear.

Roller Speed - 60 FPM.

Capacity - 850 pounds distributed live load.

OPTIONAL EQUIPMENT

Guard Rails - Adjustable channel, continuous channel, or solid steel guard rails available.

Floor Supports - Lower or higher are available. Minimum elevation, 13" from floor to top of rollers.

Ceiling Hangers - 1/2" diameter threaded rods 8 feet long with locking nuts and mounting hardware. Other lengths are available.

Side Mounted Drive - End drive mounted to side of conveyor bed section. Minimum elevation to top of rollers is 12". Specify side.

Rollers Set Low - Tread rollers mounted low in 4¹/₂" x 10 gauge formed steel channel frame to form 3/4" high guard rails.

Motor - Single phase, energy efficient, explosion proof, etc. Other HP are available.

Roller Speed - Constant and variable roller speeds available.

Electrical Controls - Magnetic starters and push button stations; manual motor starters with overload protection, others.

22CRRC - Can be slave driven.

MODEL "22CRRC"

Conveying Surface	Width Between Frames	Overall Width	"R"	Number of Rollers			Weight (lbs.)		
				90°	45°	30°	90°	45°	30°
14"	17"	20"	32½"	14	7	5	325	335	300
16"	19"	22"					333	343	308
18"	21"	24"					341	351	316
24"	27"	30"					365	375	340
28"	31"	34"	48"	21	14	7	395	405	375
34"	37"	40"					419	429	399

