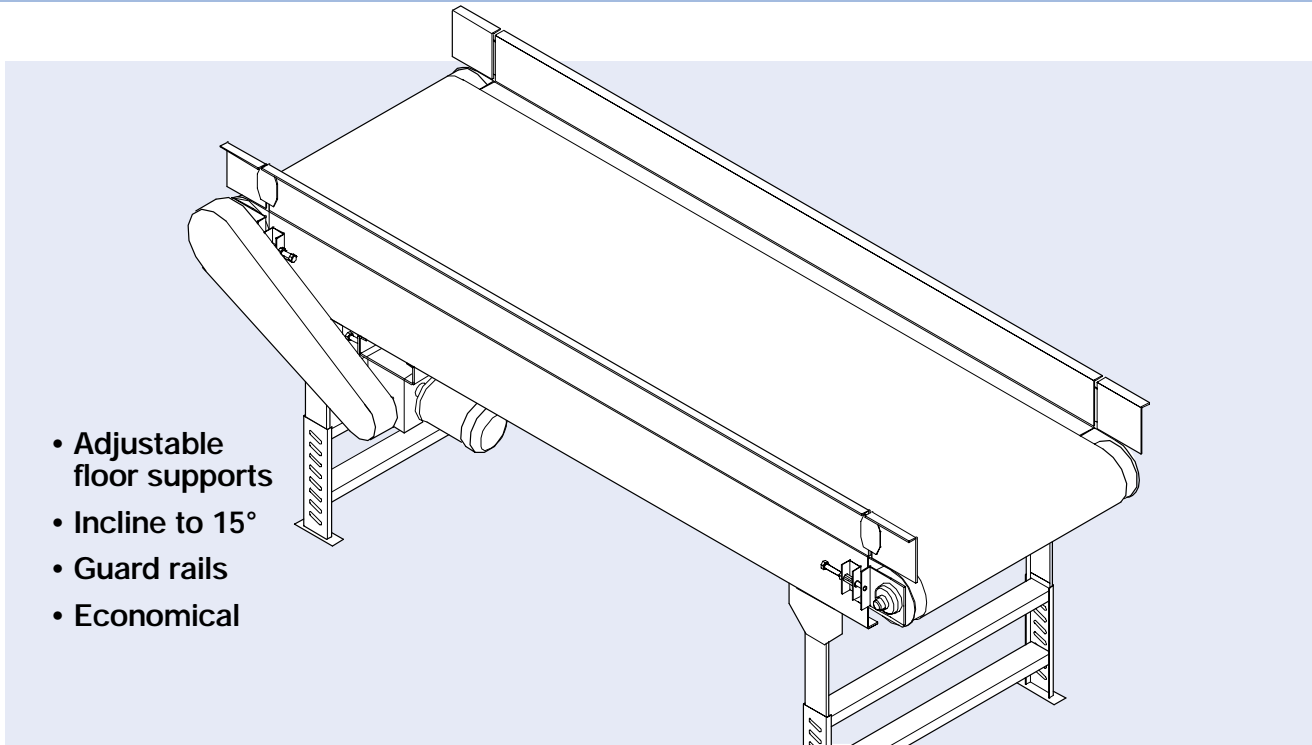


# MODEL "SBT" Slider Bed Trash Conveyor



- Adjustable floor supports
- Incline to 15°
- Guard rails
- Economical

## STANDARD SPECIFICATIONS

**Bed** - 5 1/2" deep x 14 gauge painted formed steel channel frame. Bed sections are 10 feet and 5 feet long, bolted together with splice plates and floor supports.

**Belt** - 12", 18", 24", 30", 36", 42" and 48" wide, black PVC 90, FS top side, brushed bottom side, with clipper lacing.

**Guard Rail** - 6" high x 16 gauge formed, painted steel on both sides, full length of bed sections.

**Underside Guards** - Formed 16 gauge pans full length of bed sections, removable, secured with TEK screws.

**Tail Pulley** - 4" diameter crowned with 1 3/16" diameter shaft.

**Drive Pulley** - 4", 6" and 8" diameter crowned and fully lagged. 4" and 6" diameter pulleys have 1 3/16" diameter shaft, 8" diameter pulley has 1 7/16" diameter shaft.

**Snub-Roller** - 2" diameter for 4" and 6" diameter pulleys, 2 1/2" diameter for 8" diameter pulley.

**Return Rollers** - 1.9" diameter placed on 10' centers.

**Floor Supports** - Adjustable 30" to 44" from floor to top of belt. One floor support provided at each end of conveyor and at each bed joint.

**Take-Up** - 6" long screws located at tail pulley to provide belt tension.

**Bearings** - Sealed, prelubricated with cast iron housings.

**Speed Reducer** - C-Face mounted heavy duty worm gear reducer.

**Motor** - 1/2 HP 230/460-3-60 TE motor.

**Capacity** - 10 pounds per foot maximum live load. See Load Capacity Chart.

## OPTIONAL EQUIPMENT

**Guard Rails** - 12", 18", or 24" high; vertical or 30 degree flare, for one or both sides.

**Floor Supports** - Higher than standard supports available to 96".

**Ceiling Hangers** - 1/2" diameter threaded rods, 8 feet long with locking nuts and mounting hardware.

**Nose-Over** - Fixed single nose-over at 10, 12 1/2 or 15 degrees. Adjustable nose-over roller for belt tracking.

**Center Drive** - Mounted below conveyor bed section. Can be placed most anywhere in conveyor length.

**Auxiliary Belt Take-Up** - Mounted below conveyor bed section. Can be placed most anywhere in conveyor length.

**Side Mounted End Drive** - Mounted to side of conveyor bed. Minimum elevations: 4" pulley - 7 1/2", 6" pulley - 8 1/2", 8" pulley - 10 1/2". Specify side.

**Two Pulley Hitch** - For transferring material from horizontal to incline section.

**Inline Transfer Unit** - For transferring material from one horizontal conveyor to another.

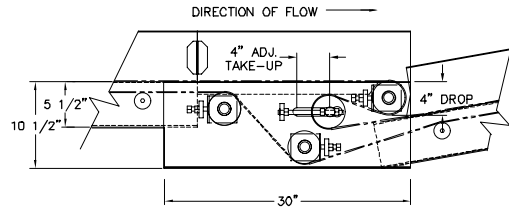
**Belt** - #100 PVC rough top belt for incline applications.

**Belt Speed** - 45, 75, 90 and 120 FPM. Please specify.

**Motor** - Single phase, energy efficient, explosion proof, etc. Other HP available.

# MODEL "SBT"

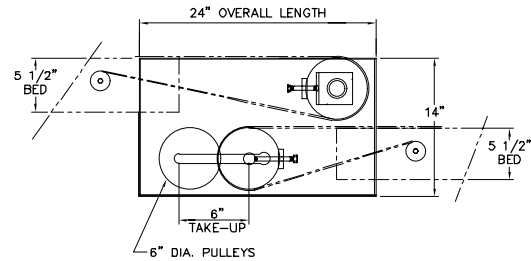
MODEL SBT - WEIGHTS							
Belt Width	12"	18"	24"	30"	36"	42"	48"
Bed Width	14"	20"	26"	32"	38"	44"	50"
Drive Pulley Dia.	4"	4"	4"	6"	6"	8"	8"
Tail Pulley Dia.	4"	4"	4"	6"	6"	6"	6"
10'0" OAL	723	858	993	1125	1260	1510	1650
Per Foot	25	28	32	37	42	47	51



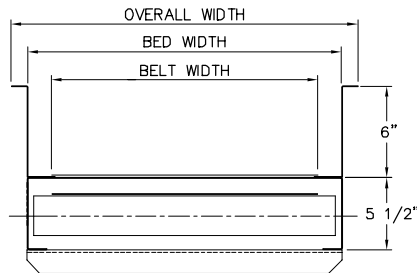
4 PULLEY INCLINE HITCH

## Load Capacity Chart

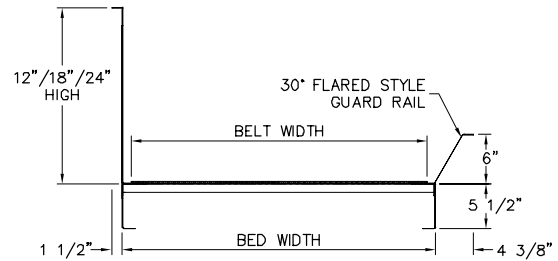
60 FPM	
HP	TOTAL LOAD
1/2	435 lbs.
3/4	650 lbs.
1	810 lbs.
1 1/2	1080 lbs.
2	1300 lbs.



IN-LINE TRANSITION UNIT



SECTION VIEW "X-X"  
STANDARD ARRANGEMENT



GUARD RAIL OPTIONS

